



MODEL	KH-C 800 GF	
Prime Power (50Hz)	800 KW	1000 KVA
Standby Power (50Hz)	880 KW	1100.00 KVA

**Standard Features**

General Features:

- ◆ Engine (CCEC Cummins KTA38-G5)
- ◆ Radiator 40OC max, fans are driven by belt, with safety guard
- ◆ 24V charge alternator
- ◆ Alternator: single bearing alternator IP23, insulation class H/H
- ◆ Absorber
- ◆ Dry type air filter, fuel filter, oil filter
- ◆ Main line circuit breaker
- ◆ Standard control panel
- ◆ Two12V batteries, rack and cable
- ◆ Ripple flex exhaust pipe, exhaust siphon, flange,muffler
- ◆ User manual



**Generator Ratings**

Voltage(V)		Hz	Phase	P.F (cos φ)	Prime Amps (A)	Prime Ratings (KW/KVA)	
440	254	50	3	0.8	1312.20	800	1000
415	240	50	3	0.8	1391.25	800	1000
400	230	50	3	0.8	1443.42	800	1000
380	220	50	3	0.8	1519.39	800	1000

Prime Power (PRP): Prime power is available for an unlimited number of annual hours in variable load application, in accordance with GB/T2820-97 (eqv ISO8528) ; A 10% overload capability is available for a period of 1 hour within a 12-hour period of operation.

Standby Power Rating (ESP): The standby power rating is applicable for supplying emergency power for the duration of a utility power interruption. No overload, utility parallel or negotiated outage operation capability is available at this rating.

**Standard Features**

Kaihua Power provides a full line of brand new and high quality products. Each and every unit is strictly factory tested.Warranty is according to our standard conditions: a, 12 months, counted on the day KAIHUA sold to the first buyer; b, One year after installation; c, 1000 running hours (accumulated); subject to the earlier one.Service and parts are available from kaihua Power or distributors in your location.

**ENGINE DATA**

Manufacturer / Model:	CCEC Cummins KTA38-G5, 4-cycle
Air Intake System:	Turbo, Water/Air cooling
Fuel System:	PT type fuel pump, EFC
Cylinder Arrangement:	"V" in line;12 Cylinder
Displacement:	37.8L
Bore and Stroke:	159×159 (mm)
Compression Ratio:	13.9:1
Rated RPM:	1500rpm
Max. Standby Power:	970KW/1319HP
Governor Type:	Electronic



### Exhaust system

Exhaust Gas Flow:	3306L/s
Exhaust Temperature:	513℃
Max Back Pressure:	10kPa

### Air Intake System

Max Intake Restriction:	6.23kPa
Burning Capacity:	1213L/s
Air Flow:	30425L/s

### Fuel System

100%( Prime Power) Load:	202 g/KWh
75%( Prime Power) Load:	207 g/KWh
50%( Prime Power) Load:	218 g/KWh
110%( Prime Power) Load:	192 L/h

### Oil System

Total Oil Capacity:	135L
Oil Consumption:	≤4g/kwh
Engne Oil Tank Capacity:	114L
Oil Pressure at Rated RPM:	310-448kPa

### Cooling System

Total Coolant Capacity:	258L
Thermostat:	82-93℃
Max Water Temperature:	104℃

## ALTERNATOR SPECIFICATION

Compliance with GB755, BS5000, VDE0530, NEMAMG1-22, IED34-1, CSA22.2 and AS1359 standards.

## Alternator Data

Manufacturer:	STAMFORD/MARATHON/KAIHUA
Number of Phase:	3
Connecting Type:	3 phase and 4 wires,"Y" type connecting
Number of bearing	1
Power factor	0.8
Protection grade	IP23 option,upon request
Altitude	≤1000m
Exciter type	Brushless,self-exciting
Insulation class	H
Telephone influence factor(TIF)	≤50
THF	≤2%
Alternator Capacity:	1000 KVA
Alternator Efficiencies	85%
Air Cooling Flow:	0.09m <sup>3</sup> /s

## GENERATING SET DATA

Voltage Regulation:	≥±5%
Voltage Regulation, Stead State:	≤±1%
Sudden Voltage Warp:	≤+25%
Sudden Voltage Warp:	≤-20%
Voltage Stable Time:	≤6S
Voltage unbalance:	≤1%
Frequency Regulation, Stead State:	≤5%



Frequency Waving:	≤1.5%
Sudden Frequency Warp:	≤+12%
Transient frequency deviation:	≤-10%
Frequency Recovery Time:	≤5S

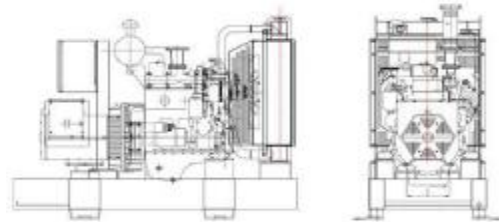
**Standard Features**

- |                                |                  |                   |
|--------------------------------|------------------|-------------------|
| ◆ Standard Auto Control System | ◆ MCCB           | ◆ Special tool    |
| ◆ Starting batteries           | ◆ Battery switch | ◆ Oil Drain Valve |
| ◆ Exhaust System               | ◆ Shock pad      | ◆ Documents       |

**Options**

- |  |  |   |
|--|--|---|
| <p><b>ENGINE</b></p> <ul style="list-style-type: none"> <li>◇ Engine Heater</li> <li>◇ Battery Charger</li> <li>◇ Air preheater</li> </ul> | <p><b>ALTERNATOR</b></p> <ul style="list-style-type: none"> <li>◇ Alternator Heater</li> <li>◇ PMG</li> </ul>  | <p><b>ELECTRICAL SYSTEM</b></p> <ul style="list-style-type: none"> <li>◇ Remote Control Panel</li> <li>◇ Automatic Transfer Switch</li> <li>◇ Paralleling System</li> </ul> |
| <p><b>TYPE</b></p> <ul style="list-style-type: none"> <li>◇ Rainproof Type</li> <li>◇ Soundproof Type</li> <li>◇ Trailer Type</li> </ul>   | <p><b>OTHER</b></p> <ul style="list-style-type: none"> <li>◇ Spare Parts</li> <li>◇ Daily Fuel Tank</li> </ul> |   |

**Dimension & Weight**

	<p style="text-align: center;"><b>Open Type</b></p> <p>Overall Size: 4500(mm)×1850 (mm) ×2350 (mm) Weight: 6900kg</p> <p style="text-align: center;"><b>Soundproof Type</b></p> <p>Overall Size: 5600 (mm) ×2200 (mm) ×2820 (mm) Weight: 10800kg</p> <p style="text-align: center;"><b>Trailer Type</b></p> <p>Overall Size: Weight:</p>
---	--

**Standard Control Panel**



KAIHUA uses micro processing technique integrating digital,intelligent and network techniques which can carry out functions including auto start/stop, data measure, alarming. The controller uses LCD display, optional Chinese and English display interface with operation easy and reliable. It can be widely used in all types of generator automatic control system for compact structure, advanced circuits, simple connections and high reliability

**Auto Module Control Panel**



Auto Module Control Panel is the configuration for nobody on duty controlling generators. This kind of panel adopts auto module control system, with large LCD display to show the menu.

Features: MRS10-can receive remote output signal from ATS and realize auto start and stop of generators. MRS16-can realize all functions of MRS10, add RS232 interface which can communicate with PC to realize remote operation. AMF25-Auto Mains Failure controller, can realize all functions of MRS16, furthermore can detect ATS and control directly

Typical Projects



100 units cummins gensets exported to Asia



5 units cummins gensets exported to Angola



50 units cummins gensets exported to Pakistan

Test Center

